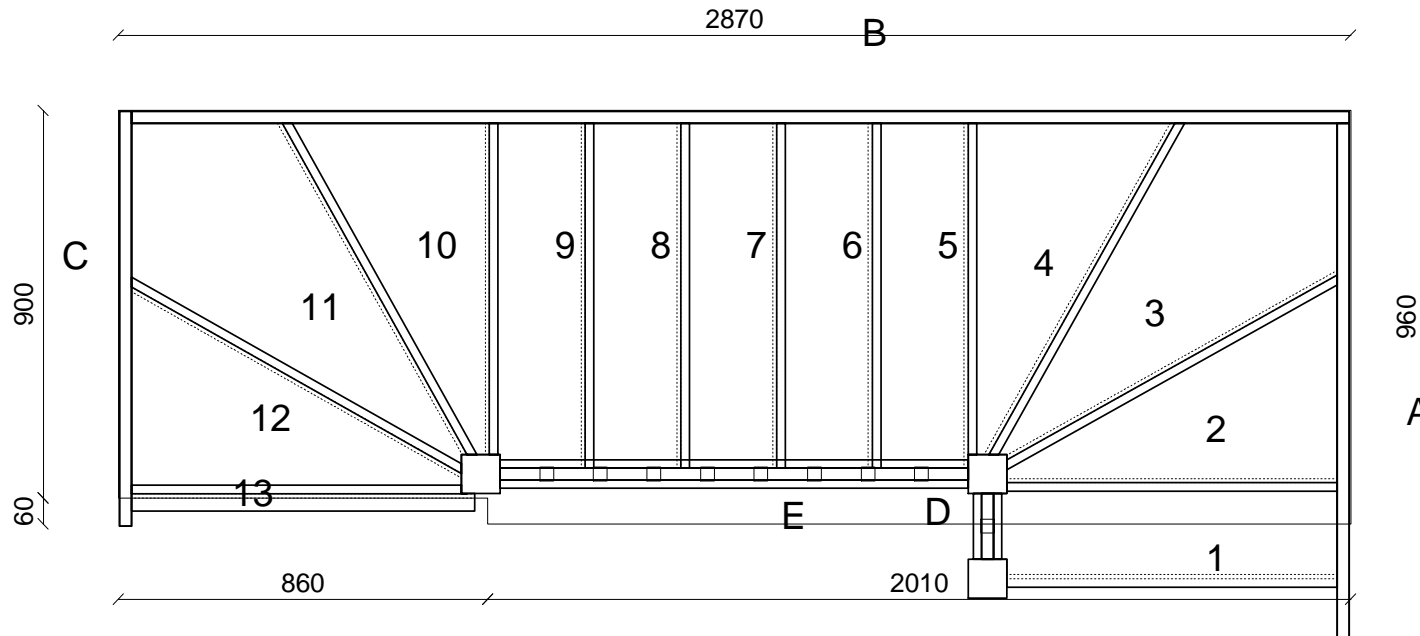


S1W3/5W3N



Floor Height:	2600.000 mm
Floor Depth Above:	0.000 mm
Floor Depth Below:	0.000 mm
Joist Depth:	260.000 mm
Headroom:	2008.162 mm
Pitch Of Stair:	41.89 °
Run:	223.000 mm
Rise:	200.000 mm
Tread Thickness:	22.000 mm
String Faceside:	28.000 mm
String Offside:	28.000 mm

Posts Dimensions	
Entry:	90.000*90.000
Corner:	90.000*90.000
Exit:	-----

Material	
Strings:	1.Engineered Pine String 28mm
Treads:	2.Engineered Pine Tread 22mm
Riser:	3.Plywood Risers 9.6mm Thick
Posts:	4. Pine 90 Square Newels
Handrails:	Pine

Client: -----

